

Current part is item (35) on diagram. Available at www.oshkoshequipment.com

(1) SMR Code	(2) Federal Stock Number	DESCRIPTION	UNIT of meas	Qty inc. in Unit	30-day DS maint allowance			30-day GS maint allowance			1-yr aw per 100 equip cnt- gcy	Depot maint aw per 100 equip	Illustration	
					(a) 1-20	(b) 21-50	(c) 51-100	(a) 1-20	(b) 21-50	(c) 51-100			(a) Figure No.	(b) Item No.
		Reference Number & Mfr. Code												
		Usable On Code												
PAHZZ	2815-848-8399	SPRING, HELICAL, COMPRESSION: OUTER VALVE, INTAKE AND EXHAUST 10889829 (19207)	EA	12				*	*	*	*	*	7	20
PAHZZ	2815-808-6991	ROTOR, ENGINE POPPET VALVE: INTAKE AND EXHAUST 11641673 (19207)	EA	12				*	*	*	*	*	7	21
PAFZZ	2815-870-9961	ROCKER ARM, ENGINE POPPET VALVE: EXHAUST 10899106 (19207)	EA	12	*	*	*	*	*	*	*	*	7	22
XAFZZ		ROCKER ARM: 10899107 (19207)	EA	12				*	*	*	*	*	7	23
PAFZZ	5310-975-2075	NUT, PLAIN HEXAGON: ADJUSTING SCREW MS35691-21 (96906)	EA	12	*	*	*	*	*	*	*	*	7	24
PAFZZ	2815-870-9962	SCREW, ADJUSTING, VALVE: 10912238 (19207)	EA	12	*	*	*	*	*	*	*	*	7	25
PAFZZ	5365-852-9793	RING, RETAINING: ROCKER ARM SHAFT MS16626-3100 (96906)	EA	4	*	*	*	*	*	*	*	*	7	26
PAFZZ	3120-850-0434	BEARING, WASHER, THRUST: ROCKER ARM SHAFT 10889964 (19207)	EA	4	*	*	*	*	*	*	*	*	7	27
PAFZZ	2815-861-1423	SHAFT, ROCKER ARM: 10889846 (19207)	EA	2	*	*	*	*	*	*	*	*	7	28
XAFZZ		PLUG: ROCKER ARM SHAFT 7748959 (19207)	EA	4				*	*	*	*	*	7	29
XAFZZ		SHAFT: ROCKER ARM 10889841 (19207)	EA	2				*	*	*	*	*	7	30
XAFZZ		PIN: SHAFT LOCATING 10898719 (19207)	EA	2				*	*	*	*	*	7	31
XAFZZ		SUPPORT: ROCKER ARM SHAFT 10889838 (19207)	EA	6				*	*	*	*	*	7	32
PAFZZ	5305-543-2866	SCREW, CAP, HEXAGON HEAD: SUPPORT MTG MS90728-68 (96906)	EA	12	*	*	*	*	*	*	*	*	7	33
PAFZZ	5310-959-4675	WASHER, LOCK: SUPPORT MTG MS35340-46 (96906)	EA	12	*	*	*	*	*	*	*	*	7	34
PAFZZ	2815-885-5723	GASKET: COVER MTG 10899080 (19207)	EA	2	*	*	*	*	*	*	*	*	7	35
PAFZZ	5310-814-0673	NUT, SELF-LOCKING, HEXAGON: COVER MTG MS51943-33 (96906)	EA	2	*	*	*	*	*	*	*	*	7	36
PAOZZ	6680-887-1334	0106-ENGINE LUBRICATION SYSTEM GAGE ROD-CAP, LIQUID LEVEL: OIL 10912158 (19207)	EA	1	*	*	*	*	*	*	*	*	8	1
PAOZZ	5330-737-6332	PACKING, PREFORMED: OIL GAGE 7376332 (19207)	EA	1	*	*	*	*	*	*	*	*	8	2
XAOZZ		ROD: OIL GAGE 10912158-1 (19207)	EA	1	*	*	*	*	*	*	*	*	8	3
PAOZZ	2815-937-7447	SUPPORT, OIL GAGE ROD: 10889899 (19207)	EA	1	*	*	*	*	*	*	*	*	8	4
PAOZZ	5305-489-8350	SCREW, MACHINE: BRACKET MTG 7748975 (19207)	EA	3	*	*	*	*	*	*	*	*	8	5
PAOZZ	5310-285-7037	WASHER, LOCK: BRACKET MTG MS122031 (96906)	EA	1	*	*	*	*	*	*	*	*	8	6
PAOZZ	5310-143-6481	NUT, PLAIN, HEXAGON: BRACKET MTG 7748972 (19207)	EA	1	*	*	*	*	*	*	*	*	8	7
PBOZZ	2815-177-8215	SUPPORT, ROD, OIL GAGE: 10912591 (19207)	EA	1	*	*	*	*	*	*	*	*	8	8
PAFZZ	5307-087-9237	STUD, PLAIN: NOZZLE MTG 10912381 (19207)	EA	6	*	*	*	*	*	*	*	*	8	9
PAFZZ	2815-860-9146	NOZZLE, PISTON COOLING: 10889917 (19207)	EA	6	*	*	*	*	*	*	*	*	8	10
PAFZZ	5310-814-0673	NUT, SELF-LOCKING, HEXAGON: NOZZLE RETAINING MS51943-33 (96906)	EA	6	*	*	*	*	*	*	*	*	8	11



Current part is item (35) on diagram. Available at www.oshkoshequipment.com

Current part is item (35) on diagram. Available at www.oshkoshequipment.com

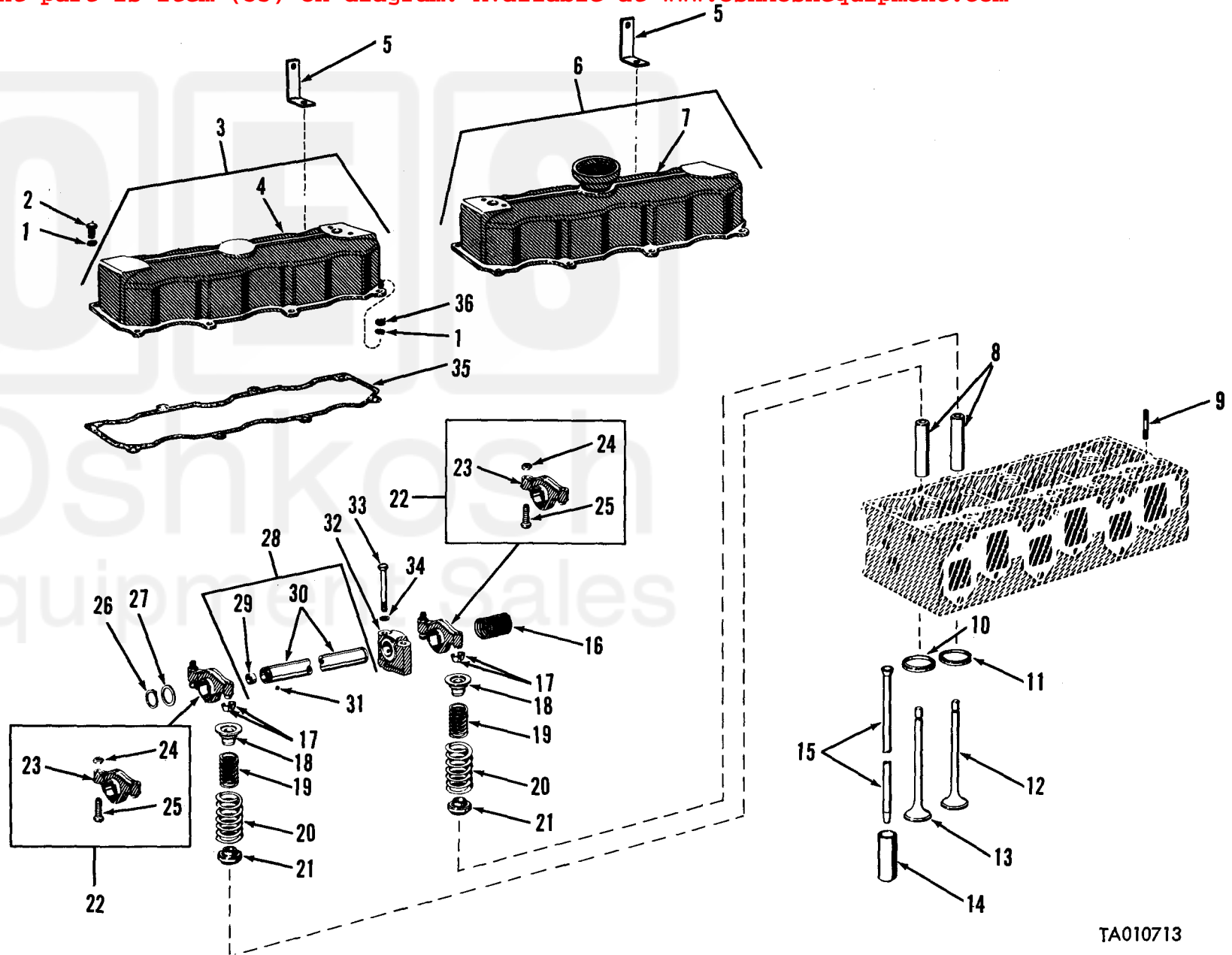


Figure 7. Cylinder Head Covers, Valves and Associated Parts.

Current part is item (35) on diagram. Available at www.oshkoshequipment.com

TA010713